

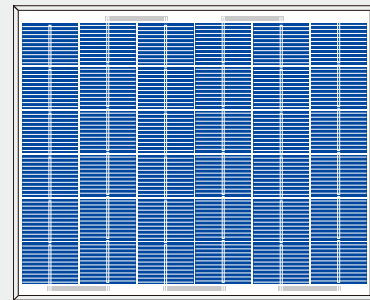
STP010-12/Kb

High Efficiency, High Quality PV Module

Suntech's STPKb features total efficiency of 8.8% Which delivers the maximum power output at peak hours. Ideal for off-grid and remote power systems. With a 25 year warranty, the module has high efficiency and long-lasting operating time even in a variety of rigorous conditions. Unique textured cell surface and bypass diode design is critical for the module to fully utilize and absorb sunlight and offer maximum usable power per square foot of solar array.

Features and benefits

- High efficiency
- Nominal 12 V DC for standard output
- Outstanding low-light performance
- High transparent low-iron, tempered glass
- Unique techniques give the panel following features: esthetic appearance, with stands high wind-pressure and snow load, and easy installation
- Unique technology ensure that problems of water freezing and warping do not occur
- Design to meet unique demand of customer
- 25 year power output warranty

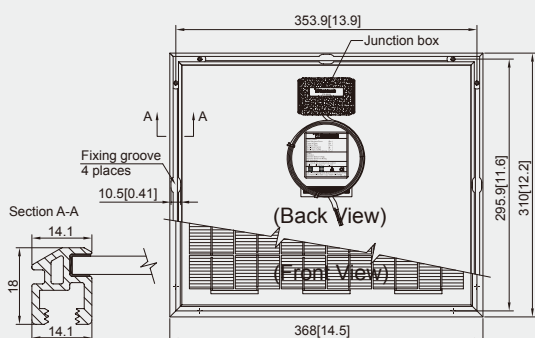


Electrical Characteristics

Model	STP010-12/Kb
Open-circuit voltage (Voc)	21.6V
Optimum operating voltage (Vmp)	17.4V
Short-circuit current (Isc)	0.65A
Optimum operating current (Imp)	0.57A
Maximum power at STC (Pmax)	10Wp
Operating temperature	-40°C to +85°C
Maximum system voltage	715V DC

STC: Irradiance 1000W/m², Module temperature 25°C, AM=1.5

Module Diagram



Note: mm[inch]

Specifications

Cell	Multicrystalline silicon solar cells 52mm×39mm
No. of cells and connections	36 (6×6)
Dimension of module	310mm×368mm×18mm
Weight	1.5kg

Temperature Coefficients

NOCT	45°C±2°C
Short-circuit current temperature coefficient	(0.055±0.01) %/K
Open-circuit voltage temperature coefficient	-(75±10) mV/K
Peak power temperature coefficient	-(0.47±0.05) %/K
Power tolerance	±10%

NOCT: Nominal Operating Cell Temperature
(the data is only for reference)

Output

Cable	YUSHENG(18AWG×2C)
Lengths	3000mm

Characteristics

Module IV Graph 10W

